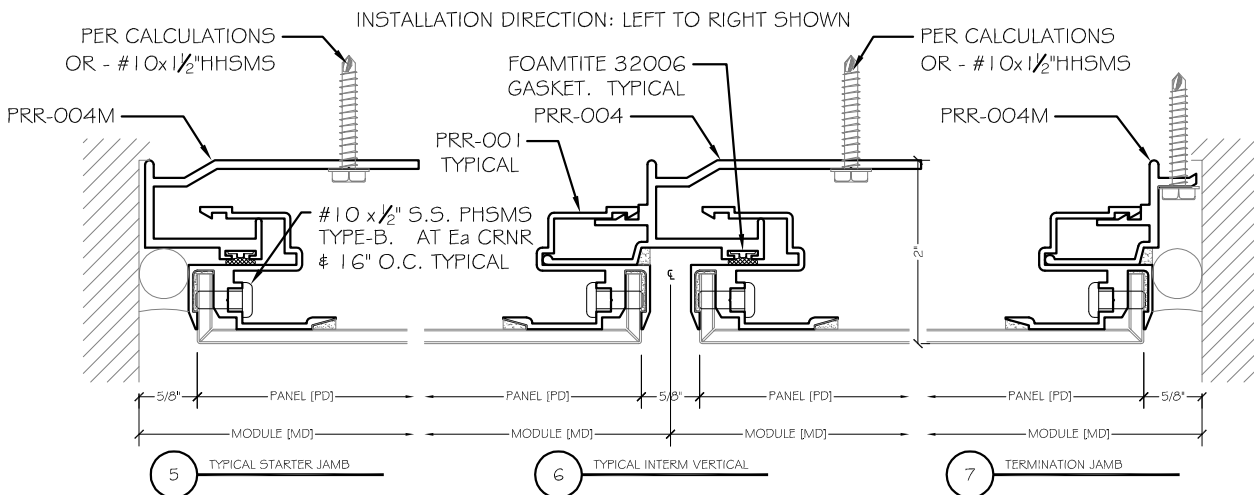
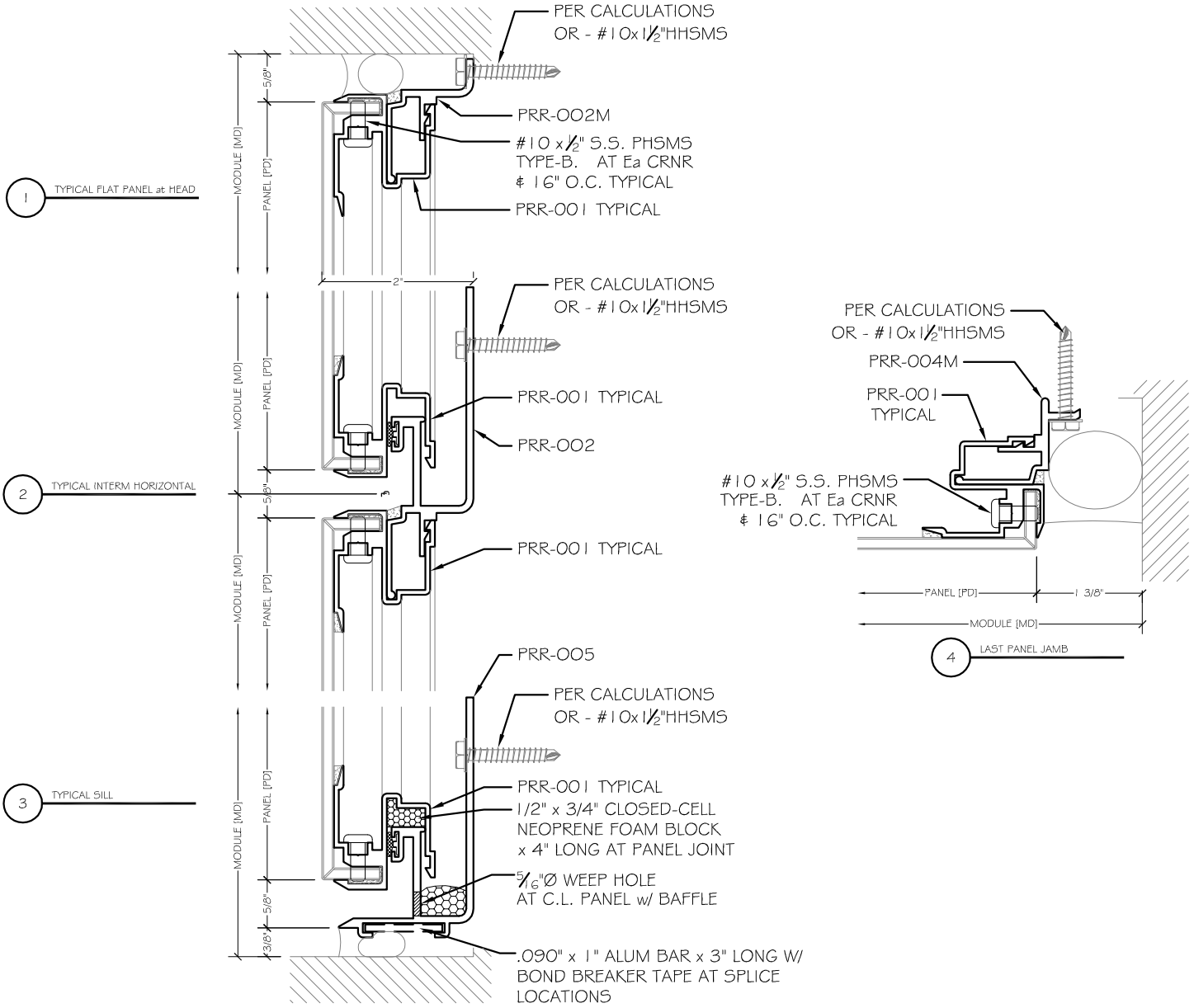


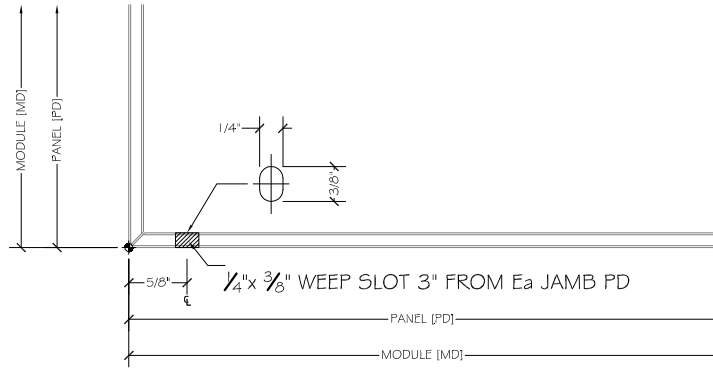
# CPS-10000 ACM PANEL SYSTEM



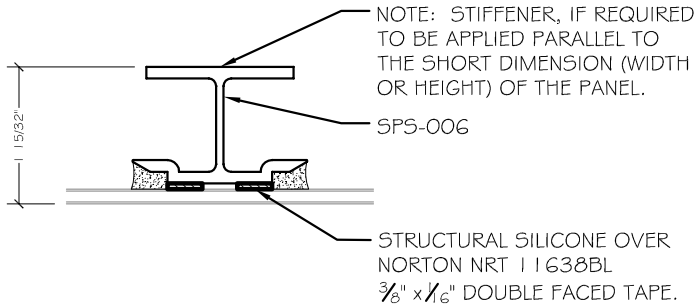
Scale: 6" = 1'-0"

# CPS-10000 ACM PANEL SYSTEM

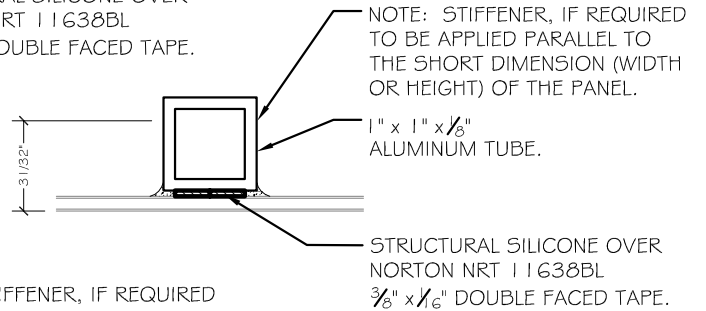
7 TYP. SOFFIT OUTSIDE CORNER



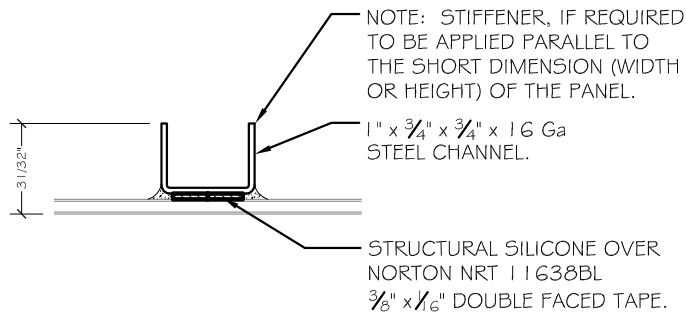
8 PANEL STIFFENER TYPE 1



9 PANEL STIFFENER TYPE 2



10 PANEL STIFFENER TYPE 3





# CPS-10000 ACM PANEL SYSTEM

## System Features:

- Dry Joint system with Gaskets.
- Medium profile system – 2” Deep (without shims).
- Uses 4mm ACM panel stock.
- Panel to panel joint width  $\frac{5}{8}$ ” standard.
- Integral continuous mounting extrusions – Factory installed.
- Tested system:
  - Air Infiltration per ASTM E 283 – 0.06 CFM / Ft<sup>2</sup>
  - Water Resistance per ASTM E 331 – 10 PSF
  - Structural Load per ASTM E 330 – Positive and Negative 20 PSF
- Manufactured with in-excess of five [5] years experience in this type of panel system.
- Made in the USA.
- Polyethylene (PE) and Fire Rated (FR) cores available.

## System Benefits:

- System utilizes ACM from Alpolic, or Reynobond.
- Large and varied selection of colors and finishes.
- LEED®:
  - Extrusion material contains approximately 45% recycled content.
  - ACM LEED® credits available: from recyclable material to the type of finish.

## System Notes:

- Horizontal strap anchors required for vertical anchorage.
- Sequential panel installation.
  - Early decision must be made on direction of installation.
- W.R.B. required as an essential part of the overall system.

November 7, 2011

California Panel Systems, LP

1020 North Marshall Avenue • El Cajon • CA • 92020 • Voice: 619.956.0866 • Fax: 619.956.0855

[www.calpanelsystems.com](http://www.calpanelsystems.com)

aluminum composite panels      aluminum plate panels  
sunshades      Trespa panels      column covers

