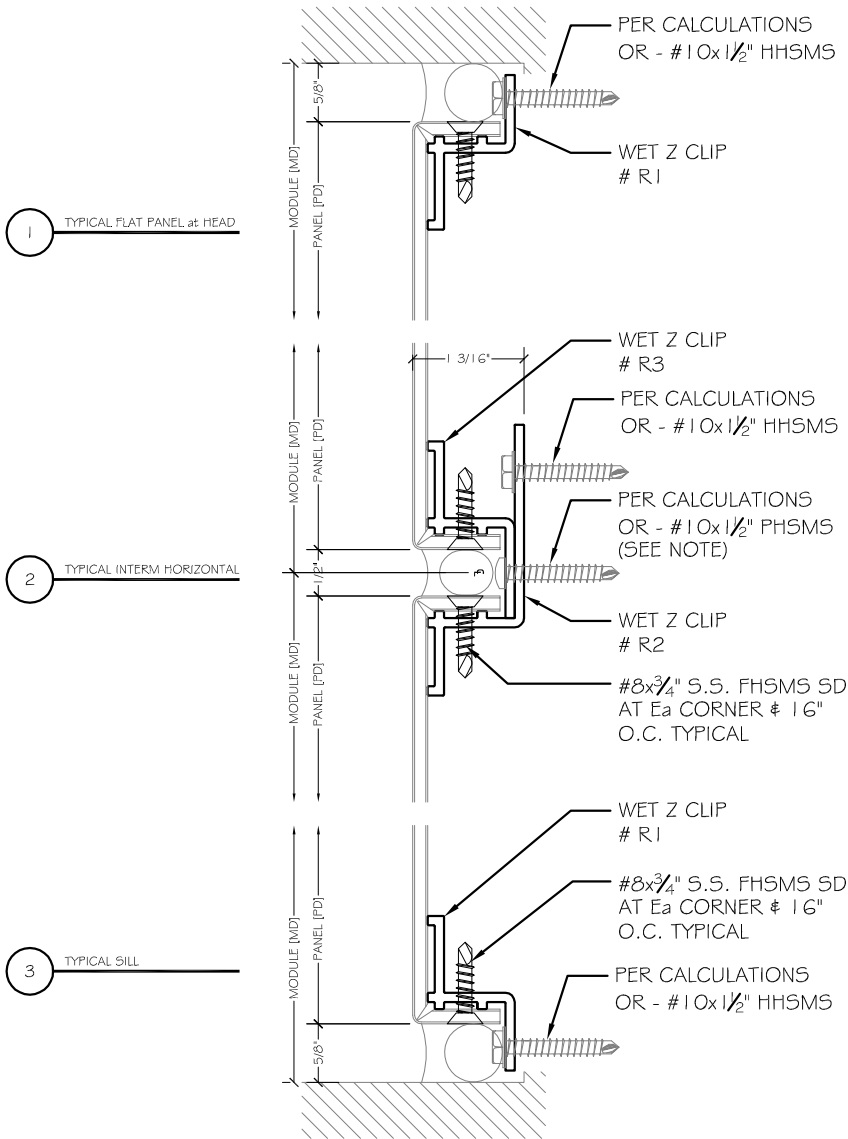
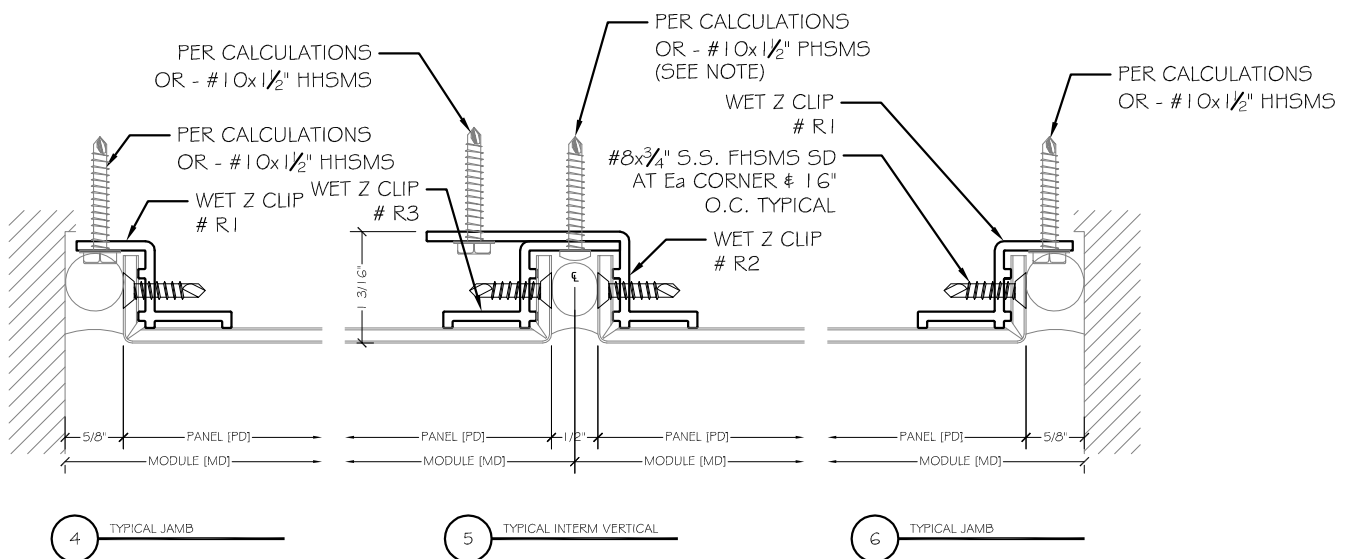


CPS-9000 (HL) ACM PANEL SYSTEM

"High-Low"

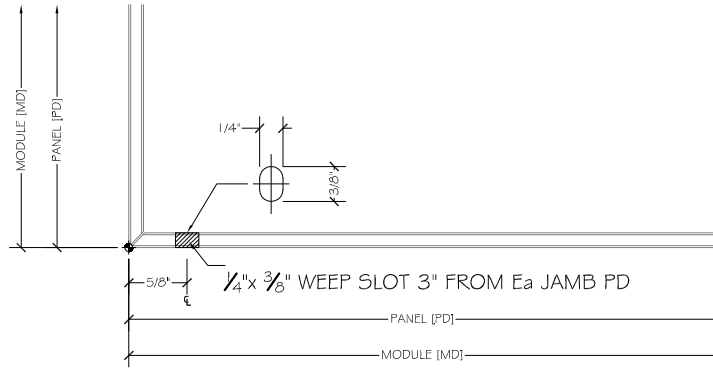


NOTE: 1/2" PANEL TO PANEL JOINT ACCEPTABLE FOR PAN HEAD SHEET METAL SCREWS.
5/8" PANEL TO PANEL JOINTS REQUIRED FOR HEX HEAD SHEET METAL SCREWS.

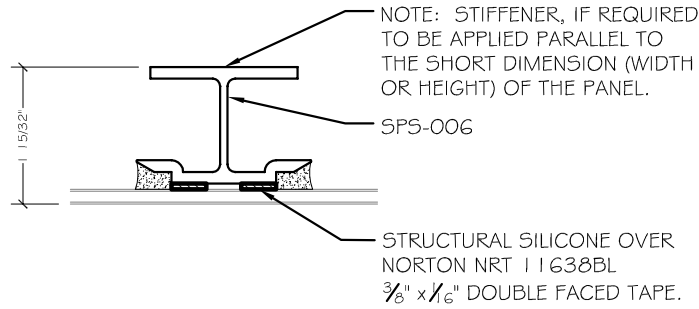


CPS-9000 (HL) ACM PANEL SYSTEM

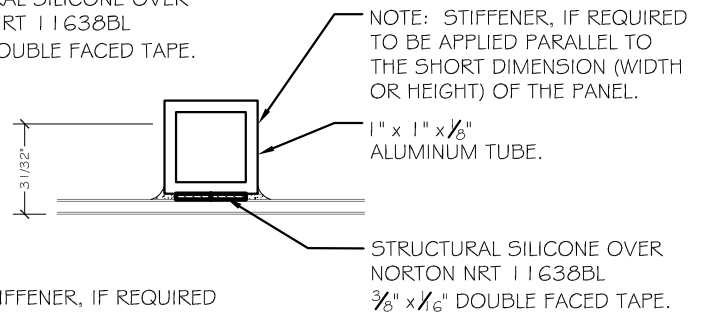
7 TYP. SOFFIT OUTSIDE CORNER



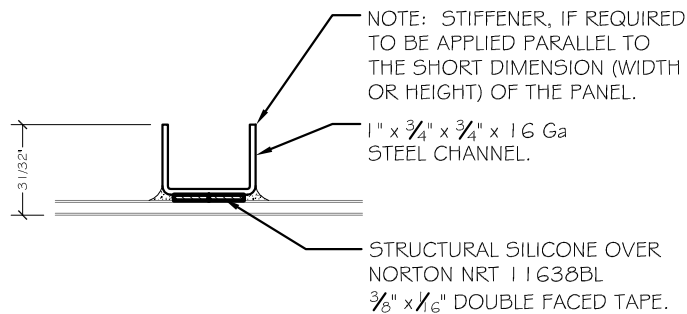
8 PANEL STIFFENER TYPE 1



9 PANEL STIFFENER TYPE 2



10 PANEL STIFFENER TYPE 3





CPS-9000 (HL) ACM PANEL SYSTEM

“High-Low”

System Features:

- Low profile system – 1-3/16” Deep (without shims).
- Wet Sealed System.
- Allows the use of 4mm or 6mm ACM panel stock.
- Panel to panel joint width flexible (1/2” and 5/8” joints standard – See notes).
- Continuous mounting Clips – Factory installed.
- Tested system:
 - Air Infiltration per ASTM E 283 – 0.06 CFM / Ft²
 - Water Resistance per ASTM E 331 – 15 PSF
 - Structural Load per ASTM E 330 – Positive and Negative 28 PSF
- Manufactured with in-excess of five [5] years experience in this type of panel system.
- Watertight system – W.R.B. not required.
- Watertight system easily accommodates vertical, soffit and coping panels.
- Made in the USA.
- Polyethylene (PE) and Fire Rated (FR) cores available.

System Benefits:

- Simplicity of fabrication.
- Simplicity of Installation.
- System utilizes ACM from Alpolic, or Reynobond.
- Large and varied selection of colors and finishes.
- LEED®:
 - Extrusion material contains approximately 45% recycled content.
 - ACM LEED® credits available: from recyclable material to the type of finish.

System Notes:

- Single Seal / Single Line of defense system. Sealant manufacturer’s surface preparation and installation instruction must be strictly adhered to.
- Horizontal strap anchors required for vertical anchorage.
- Sequential panel installation.
 - Early decision must be made on direction of installation.

November 7, 2011

California Panel Systems, LP

1020 North Marshall Avenue • El Cajon • CA • 92020 • Voice: 619.956.0866 • Fax: 619.956.0855

www.calpanelsystems.com

aluminum composite panels aluminum plate panels
sunshades Trespa panels column covers

